

/DURANGO



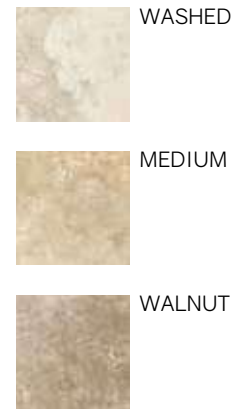
a/ WALNUT 61,0x61,0 cm RS/24"x24" RS
 30,4x61,0 cm RS/12"x24" RS - 30,4x30,4 cm RS/12"x12" RS
 POSA 3



effetto pietra / stone-look / effet pierre / steinoptik



Colori / Colours / Couleurs / Farben



Formati / Sizes / Formats / Formate

	RS - 60,0x90,0 cm . 24"x36"	± 20 mm	FP2 - R11
	RS - 61,0x61,0 cm . 24"x24"	± 9,0 mm	R10
	RS - 61,0x61,0 cm . 24"x24"	± 20 mm	FP2 - R11
	RS - 30,4x61,0 cm . 12"x24"	± 9,0 mm	R10
	NS - 30,8x61,5 cm . 12"x24"	± 9,0 mm	OUTDOOR - R11
	RS - 30,4x30,4 cm . 12"x12"	± 9,0 mm	R10

I formati 61,0x61,0 - 30,4x61,0 - 30,4x30,4 sono modulari tra loro.
 Per schemi di posa vedi pag. 169.
 The sizes 61.0x61.0 - 30.4x61.0 - 30.4x30.4 are combined laying.
 For laying patterns see page 169.
 Les formats 61.0x61.0 - 30.4x61.0 - 30.4x30.4 sont modulaires entre eux.
 Pour les plans de pose, voir page 169.
 Die Formate 61.0x61.0 - 30.4x61.0 - 30.4x30.4 sind untereinander modular aufgebaut. Zum Verlegebeispiele siehe Seite 169.

RS: Rettificato-Strutturato / Rectified-Textured

NS: Naturale -Strutturato / Natural-Textured

Formati / Sizes / Formats / Formate	RS - 61,0x61,0 cm 24"x24" ± 9,0 mm	RS - 61,0x61,0 cm 24"x24" ± 20 mm FP2 R11	RS - 60,0x90,0 cm 24"x36" ± 20 mm FP2 R11	RS - 30,4x61,0 cm 12"x24" ± 9,0 mm R10	NS - 30,8x61,5 cm 12"x24" ± 9,0 mm OUTDOOR R11	RS - 30,4x30,4 cm 12"x12" ± 9,0 mm R10
WASHED	●			●		●
MEDIUM	●	●	●	●	●	●
WALNUT	●			●	●	●



WASHED



MEDIUM



WALNUT

dESIGN SUR-FACES

WASHED

H1X9 61,0x61,0 cm 24"x24" - RS
 H0X7 30,4x61,0 cm 12"x24" - RS
 H1X1 30,4x30,4 cm 12"x12" - RS

A192
 A110
 A100



MEDIUM

H1X8 61,0x61,0 cm 24"x24" - RS
 J4M4 30,8x61,5 cm 12"x24" OUTDOOR - NS
 H0X6 30,4x61,0 cm 12"x24" - RS
 H1X0 30,4x30,4 cm 12"x12" - RS

A192
 A141
 A110
 A100



I4Z2 61,0x61,0 cm 24"x24" - ~~FP-E~~ RS
 O7U2 60,0x90,0 cm 24"x36" - ~~FP-E~~ RS

A198
 A179

WALNUT

H2X1 61,0x61,0 cm 24"x24" - RS
 I9Q5 30,8x61,5 cm 12"x24" OUTDOOR - NS
 H0X9 30,4x61,0 cm 12"x24" - RS
 H1X3 30,4x30,4 cm 12"x12" - RS

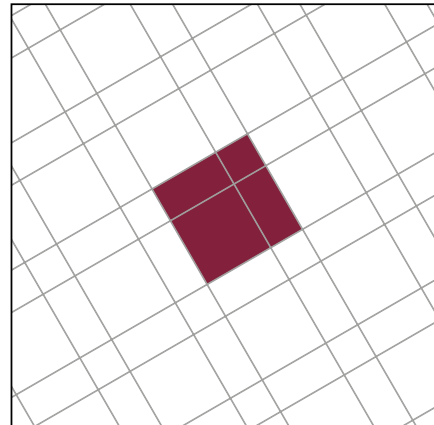
A192
 A141
 A110
 A100



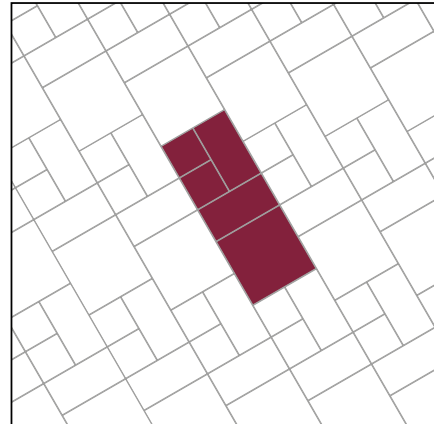


b/ MEDIUM 61,0x61,0 cm RS/24"x24" RS
 c/ WASHED 61,0x61,0 cm RS/24"x24" RS

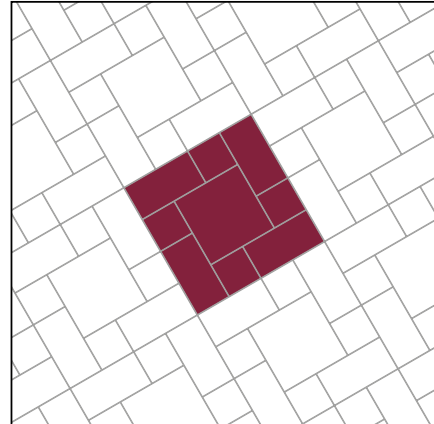
Esempi di posa / Laying compositions / Exemple de pose / Verlegemuster multiformato/ multiformat



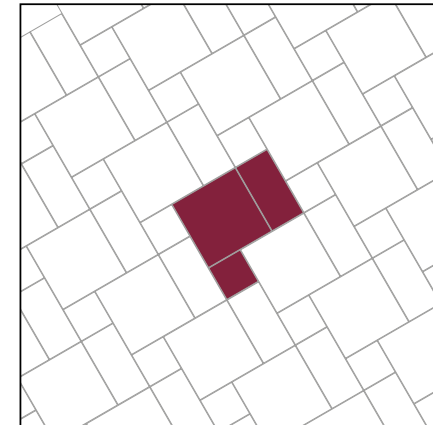
1		
61x61 - 24"x24"	44,45%	
30,4x61 - 12"x24"	44,44%	
30,4x30,4 - 12"x12"	11,11%	



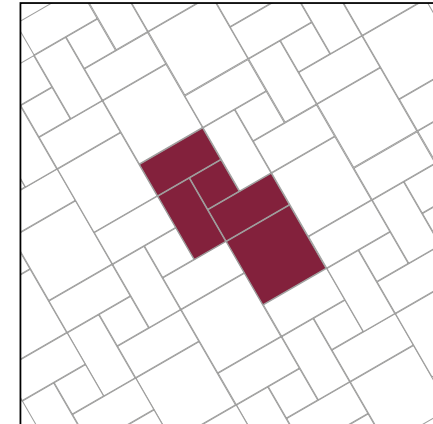
4		
61x61 - 24"x24"	40,00%	
30,4x61 - 12"x24"	40,00%	
30,4x30,4 - 12"x12"	20,00%	



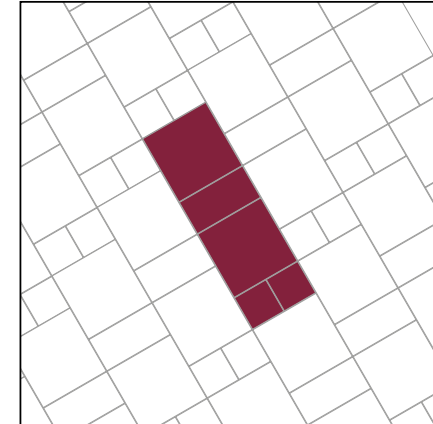
7		
61x61 - 24"x24"	25,00%	
30,4x61 - 12"x24"	50,00%	
30,4x30,4 - 12"x12"	25,00%	



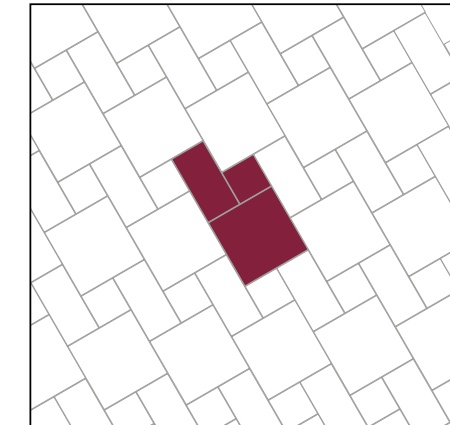
2		
61x61 - 24"x24"	57,14%	
30,4x61 - 12"x24"	28,57%	
30,4x30,4 - 12"x12"	14,29%	



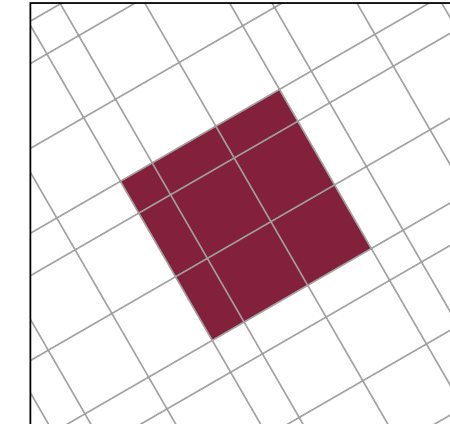
5		
61x61 - 24"x24"	36,45%	
30,4x61 - 12"x24"	54,50%	
30,4x30,4 - 12"x12"	9,05%	



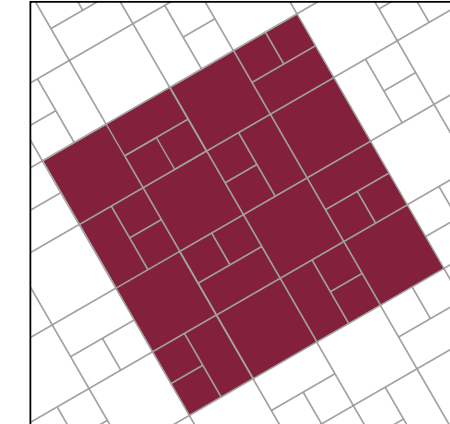
8		
61x61 - 24"x24"	66,78%	
30,4x61 - 12"x24"	16,64%	
30,4x30,4 - 12"x12"	16,58%	



3		
61x61 - 24"x24"	57,14%	
30,4x61 - 12"x24"	28,57%	
30,4x30,4 - 12"x12"	14,29%	



6		
61x61 - 24"x24"	64,00%	
30,4x61 - 12"x24"	32,00%	
30,4x30,4 - 12"x12"	4,00%	



9		
61x61 - 24"x24"	50,00%	
30,4x61 - 12"x24"	24,90%	
30,4x30,4 - 12"x12"	25,10%	



MEDIUM

Sviluppo grafico / Design development / Développement graphique / Grafische Entwicklung 61,0x61,0 cm 24"x24" RS
(22 grafiche diverse / 22 different design / 22 graphiques différents / 22 verschiedene Grafische)


d/ MEDIUM 61,0x61,0 cm RS/24"x24" RS



d

DURANGO

Decori / Decors / Décors / Dekors


mosaico monocolor 36 tessere 5x5 - 30x30 cm 12"x12"  **P71**



WASHED

MEDIUM

WALNUT




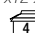

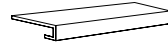
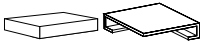
mosaico monocolor basket - 30x30 cm 12"x12"  **P76**
tessere: 2,3x2,3 . 1"x1" - 2,3x4,8 . 1"x2" - 4,8x4,8 . 2"x2" - 4,8x7,3 . 2"x3"



WASHED

MEDIUM

WALNUT

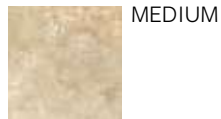
Pezzi Speciali / Special Pieces / Pièces Spéciales / Formteile	 battiscopa 6,5x61,0 cm 2 1/2"x24" RS  P07	 elemento "L" monolitico outdoor 15x30x4 cm 6"x12"x1 3/4"  P50	 step 30,4x61,0 cm 12"x24" RS P90	 gradino costa retta 34x61,0x4 cm 13"x24"x1 3/4" RS P31	 angolare costa retta dx/sx 34x34x4 cm 13"x13"x1 3/4" RS P40
WASHED	●		●	●	●
MEDIUM	●	●	●	●	●
WALNUT	●	●	●	●	●

Note / Notes / Notes / Anmerkungen

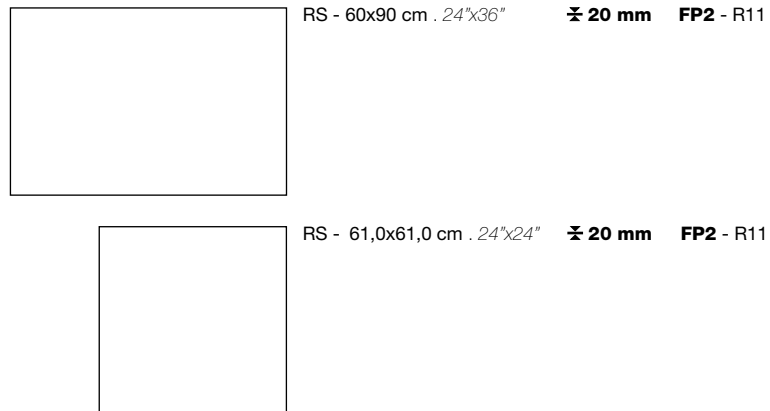
I battiscopa e gli elementi "L" vengono venduti a pz. e a scatola completa. Tutti gli altri pezzi speciali vengono venduti al pezzo. I gradini vengono prodotti solo su ordinazione (tempo minimo di consegna 20 gg lavorativi).
All skirting and monolithic L elements, priced per piece, are sold in full box. All other special trims are sold by piece. Steps are produced only on request (minimum delivery terms of 20 days).
Les plinthes et élément "L" sont vendues la pièce et par boîte complète. Les autres pièces spéciales sont vendus la pièce. Le plat de marche sont produit sur demande (délai minimum de 20 jours).
Die Sockelleisten und Stufen werden pro Stk. und Vollen Kartons verkauft. Stufen und Stufenecken werden nur auf Bestellung produziert (Lieferzeiten mindesten 20 arbeitstagen ab Auftragserteilung).

10 DURANGO

effetto pietra / stone-look / effet pierre / steinoptik
 Colori / Colours / Couleurs / Farben

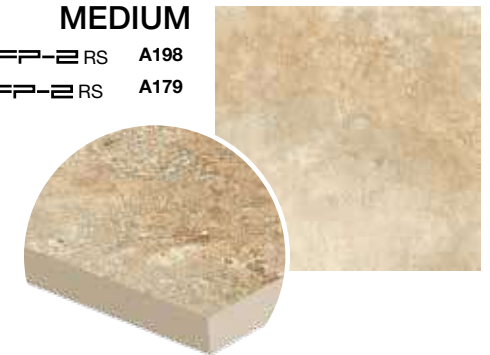


Formati / Sizes / Formats / Formate



11 DURANGO

MEDIUM
I4Z2 61,0x61,0 cm 24"x24" - FP2 RS **A198**
O7U2 60,0x90,0 cm 24"x36" - FP2 RS **A179**



RS: Rettificato-Strutturato / Rectified-Textured

Formati / Sizes / Formats / Formate	RS - 61,0x61,0 cm 24"x24" 20 mm FP2 R11	RS - 60x90 cm 24"x36" 20 mm FP2 R11
MEDIUM	●	●



a/MEDIUM FP2
 61,0x61,0 cm RS/24"x24" RS

Per la disponibilità articolo: www.tuscaniagres.it digitando il codice web segnalato a lato dei formati.
 For the item's availability: www.tuscaniagres.it type the web code reported next to the sizes.
 Pour vérifier la disponibilité de l'article: www.tuscaniagres.it en saisissant le code web indiqué à coté des formats.
 Für die Artikelverfügbarkeit: www.tuscaniagres.it web code eingeben, an der Seite von Formaten angedeutet.

FP2 Pezzi Speciali / Special Pieces / Pièces Spéciales / Formteile	 elemento "L" 30x90x5 cm 12"x36" x2" RS P102B		 elemento "L" 30x61,0x5 cm 12"x24" x2" RS P100		 angolare elemento "L" SX/DX 30x90x5 cm 12"x36" x2" RS P105B		 angolare elemento "L" SX/DX 30x30x5 cm 12"x12" x2" RS P103		 griglia 20x90 cm 8"x36" RS P106C		 griglia 20x61,0 cm 8"x24" RS P106A		 angolo SX griglia angolo 20x90 cm 8"x36" RS P108 COPPIA		 angolo DX griglia angolo 20x61,0 cm 8"x24" RS P107 COPPIA	
	MEDIUM	●	●	●	●	●	●	●	●	●	●	●	●	●	●	
	 round lineare 30x90 cm 12"x36" RS P112B		 round lineare 30x61,0 cm 12"x24" RS P110		 round angolare 30x90 cm 12"x36" RS P113D COPPIA		 round angolare 30x61,0 cm 12"x24" RS P113A COPPIA		 angolo SX angolo bordo toro 30x90 cm 12"x36" RS P118		 angolo DX angolo bordo toro 30x61,0 cm 12"x24" RS P114					
MEDIUM	●	●	●	●	●	●	●	●	●	●	●	●	●	●		

Note - Notes - Notes - Anmerkungen
 I pezzi speciali FP2 vengono venduti al pezzo e solo su ordinazione (tempo minimo di consegna 20 gg lavorativi dall'ordine).
 The special pieces FP2 are sold by piece and only on request (minimum delivery time 20 working days from date of order).
 Les pièces spéciales FP2 sont vendus à la pièce et uniquement sur commande (délai minimum de livraison 20 jours ouvrés à partir de la commande).
 Spezial Teile FP2 sind pro Stück verkauft und nur auf Bestellungen produziert. (Lieferzeiten mindesten 20 arbeitstage ab Auftragbestätigung)

TABELLA PESI ED IMBALLI


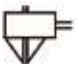










Sizes weight and packaging / Mesures poids et emballages / Tabelle der Gewichte und Verpackungen

formati / sizes / tailles / formate /		pz. x box	mq. x box	box x pal.	mq. x pal.	kg. x mq	kg. x box	kg. x pal.	
NATURALI / NATURAL (N)									
30,8x61,5 cm 12"x24" N	9 mm	7	1,32	40	52,80	18,62	24,57	995	80x120x75
RETTIFICATI / RECTIFIED (R) -									
61x61 cm 24"x24" R	9 mm	4	1,49	30	44,70	19,80	29,50	900	80x120x75
30,4x61 cm 12"x24" R	9 mm	7	1,30	40	52,00	19,83	25,77	1045	80x120x75
30,4x30,4 cm 12"x12" R	9 mm	13	1,20	40	48,00	20,78	24,93	1010	80x120x75
SPESSORATI / EXTRA THICK (R) 									
61x61 cm 24"x24" R	20 mm	2	0,74	30	22,20	44,05	32,59	990	80x120x75
60x90 cm 24"x36" R	20 mm	1	0,54	45	24,30	43,50	23,50	1075	94x120x75
pezzi speciali / special pieces / pièces spéciales / formteile /									
6,5x61 cm 2"x24" battiscopa rettificato		12					8,50		

Note / Notes / Notes / Anmerkungen
 I battiscopa e gli elementi "L" vengono venduti a pz. e a scatola completa. Tutti gli altri pezzi speciali vengono venduti al pezzo. I gradini vengono prodotti solo su ordinazione (tempo minimo di consegna 20 gg lavorativi).
 All skirting and monolithic L elements, priced per piece, are sold in full box. All other special trims are sold by piece. Steps are produced only on request (minimum delivery terms of 20 days).
 Les plinthes et élément "L" sont vendues la pièce et par boîte complète. Les autres pièces spéciales sont vendus la pièce. Le plat de marche sont produit sur demande (délai minimum de 20 jours).
 Die Sockelleisten und Stufen werden pro Stk. und Vollen Kartons verkauft. Stufen und Stufenecken werden nur auf Bestellung produziert (Lieferzeiten mindesten 20 arbeitstagen ab Auftragserteilung).

SIMBOLOGIA CARATTERISTICHE TECNICHE - GRÈS PORCELLANATO /

Symboles technical characteristics - porcelain stoneware / Symboles des caracteristiques techniques - grès cérame / Symbole technischen eigenschaften - feinsteinzeug

	CARATTERISTICHE TECNICHE TECHNICAL CHARACTERISTICS CARACTÉRISTIQUES TECHNIQUES TECHNISCHE MERKMALE	NORMA DI RIFERIMENTO REFERENCE STANDARD NORME DE REFERENCE PRÜFMETHODE	VALORE RICHIESTO REQUIRED VALUE VALEUR REQUISE SOLLWERT	VALORE MEDIO TUSCANIA AV. TUSCANIA VALUE VALEUR MOYENNE TUSCANIA MITTLERER TUSCANIA-WERT		
	DIMENSIONI DIMENSIONS DIMENSIONS ABMESSUNGEN	ISO 10545-2	CONFORME COMPLIANT CONFORME KONFORM	CONFORME COMPLIANT CONFORME KONFORM		
	ASSORBIMENTO D'ACQUA WATER ABSORPTION ABSORPTION D'EAU WASSERAUFNAHME	ISO 10545-3	≤ 0,5 %	CONFORME COMPLIANT CONFORME KONFORM		
	RESISTENZA A FLESSIONE MODULUS OF RUPTURE RESISTANCE A LA FLEXION BIEGEFESTIGKEIT	ISO 10545-4	MODULUS OF RUPTURE R ≥35 N/MM ² BREAKING STRENGTH S ≥1300 N	CONFORME COMPLIANT CONFORME KONFORM		
	RESISTENZA ALL'ABRASIONE ABRASION RESISTANCE RÉSISTANCE À L'ABRASION ABRIEBBESTÄNDIGKEIT	ISO 10545-7	PEI SOLO PER PIASTRELLE SMALTATE ONLY FOR GLAZED TILES			
	DILATAZIONE TERMICA LINEARE LINEAR THERMAL EXPANSION DILATATION THERMIQUE LINEAIRE LINEARE WÄRMEAUSSDEHNUNG	ISO 10545-8	≤ 9x10 ⁻⁵ °C ⁻¹	CONFORME COMPLIANT CONFORME KONFORM		
	RESISTENZA AGLI SBALZI TERMICI THERMAL SHOCK RESISTANCE RESISTANCE AUX ECARTS DE TEMPERATURE ITEMPERATURWECHSELBESTÄNDIGKEIT	ISO 10545-9	RESISTENTE RESISTANT RESISTANT BESTÄNDIG	RESISTENTE RESISTANT RESISTANT BESTÄNDIG		
	RESISTENZA AL GELO FROST RESISTANCE RESISTANCE AU GEL FROSTBESTÄNDIGKEIT	ISO 10545-12	RESISTENTE RESISTANT RESISTANT BESTÄNDIG	RESISTENTE RESISTANT RESISTANT BESTÄNDIG		
	RESISTENZA AGLI ACIDI ED ALLE BASI ACID AND ALKALI RESISTANCE RESISTANCE AUX ACIDES ET AUX BASES SÄURE- UND LAUGENBESTÄNDIGKEIT	ISO 10545-13	CLASS GB MIN.	LOW CONCENTRATION GLA HIGH CONCENTRATION GHA		
	RESISTENZA ALL'ATTACCO CHIMICO CHEMICAL RESISTANCE RESISTANCE À L'ATTAQUE CHEMIQUE CHEMISCHE BESTÄNDIGKEIT	ISO 10545-13	CLASS GB MIN.	GA		
	RESISTENZA ALLE MACCHIE STAIN RESISTANCE RESISTANCE AU TACHES FLECKENBESTÄNDIGKEIT	ISO 10545-14	CLASS 3 MIN.	5		
	COEFFICIENTE DI ATTRITO (SCIVOLOSITÀ) FRICTION COEFFICIENT (SLIPPERINESS) COEFFICIENT DE FRICTION (GLISSEMENT) REIBUNGSKOEFFIZIENT (RUTSCHIGKEIT)	BCR - ITALIA DM DEL 14-06-89	ASTM - USA ASTM C1028	DIN - GERMANIA DIN 51130		
		DRY RUBBER 0,62	WET RUBBER 0,51	DRY NEOLYTHE 0,69	WET NEOLYTHE 0,62	R10 - R11 outdoor/ FP2 ZH 1/571

THE PRODUCTS HAVING AN ABSORPTION < 0,5% ARE CLASSIFIED ACCORDING THE UNI CEN STANDARDS "FULLY VITRIFIED TILES" AND ACCORDING TO THE ASTM STANDARDS "IMPERVIOUS TILES"

DURANGO

Le informazioni contenute nel presente catalogo sono il più possibile esatte, ma non sono da ritenersi vincolanti. Per esigenze di produzione l'Azienda si riserva il diritto di apportare eventuali modifiche che si rendessero necessarie. Peso, colori e misure sono soggetti alle inevitabili variazioni tipiche del processo di cottura della ceramica. Il colori e gli effetti riportati sul presente catalogo sono indicativi per i limiti consentiti dalla stampa; per questo non possono essere vincolanti e costituire base per eventuali contestazioni.

The information contained in this catalogue is as accurate as possible, but cannot be considered as legally binding. The Company reserves the right to make any modifications that become necessary due to production requirements. Weight, colours and dimensions are subject to the inevitable variations typical of the ceramic firing process. Colours and aesthetic effects shown on this catalogue should be considered indicative and approximate as a result of printing process limits. Possible variations may occur and can not be at the base of any claim.

Les informations reprises dans ce catalogue sont exactes, mais elles n'engagent aucunement notre Société du point de vue légal. Pour des exigences de production la Société se réserve le droit d'apporter toutes les dimensions sont assujettis aux variations typiques du processus de cuisson de la céramiques. Les couleurs et les effets présentés dans ce catalogue sont indicatifs dans la mesure permise par la presse, ce qui explique pourquoi ils ne peuvent pas être obligatoire et constituer la base d'un éventuel désaccord.

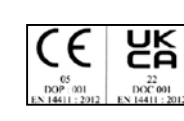
Die Informationen des vorliegenden Katalogs sind so exakt wie möglich, sind jedoch nicht als gesetzlich verbindlich zu betrachten. Aus Fertigungsgründen behält die Firma sich das Recht vor, eventuell notwendige Änderungen vorzunehmen. Gewicht, Farben und Abmessungen unterliegen den unvermeidlichen Veränderungen, die für den Brennvorgang von Keramikprodukten typisch sind. Die in diesem Katalog gezeigten Farben und Effekte sind Richtwerte, soweit durch die Presse, die ist, warum sie nicht bindend und stellen die Grundlage für eine Meinungsverschiedenheit gestattet.

Credit:

Marketing:
Tuscania

Progetto Grafico:
EUREKA

T
TUSCANIA[®]
ceramiche



/DURANGO



tuscaniagres.it

Tuscania S.p.A.

Via Giardini Sud, 4603
41028 Serramazzoni (Mo) - Italia
Tel. +39 0536.952399
Fax +39 0536.954716
info@tuscaniagres.it
www.tuscaniagres.it

